

MegaPOS Lite

15" Cost-effective Fan-less
Touch POS Terminal



MegaPOS Lite is a cost-effective fan-less point of sale terminal designed with all of the essential features. The optional peripherals supported by MegaPOS Lite allows additional expandability for different business needs.



Features

Fan-less Design

Dust resistance

Fan-less design reduces the accumulation of dust

Built-in Customer Display

Cost saving

Customer display is integrated on the console eliminating the need to purchase a pole display



150W External Power Adaptor

Low power consumption

Reducing the electricity usage saving on monthly utility bill

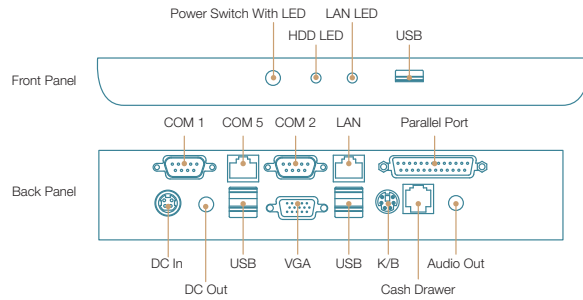


Integrated Rear Cover

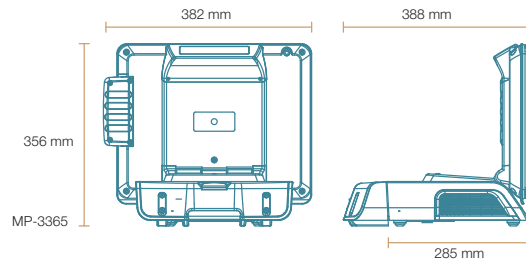
Cable management

Cabling for power cord and peripherals is hidden beneath the terminal keeping it out of sight and saving counter space

I/O Interface



Dimensions



Specifications

Model	MP-3365
Processor	ATOM N270 1.6GHz (on board)
System Memory	512MB standard, maximum 2GB (1 x 240-pin DDR2 SDRAM)
Speaker	Built-in Speaker 2W x 2
Power Supply	150W (12V/12.5A) External Power Adaptor
Storage Device	1 x 2.5" SATA HDD 1 x CF Card (optional)
Construction	ABS+SECC
Housing Color	Charcoal+Silver
Touch LCD Display	
Size / Resolution	15" TFT LCD / 1024 x 768
Brightness	250 / 350 cd/m ²
Touch Screen	Resistive Touch
I/O Ports	
Serial Port	3 x External : COM1, COM2 (D-Sub 9) & COM5 (RJ45) with RI/5V/12V selectable
USB Port	5 x External (1 in front, 4 in rear)
Printer Port	1 x Bi-directional Parallel Port
Cash Drawer Port	1 x 12V RJ11 (single/dual)
PS/2	1 x Keyboard
LAN Port	1 x RJ45 Giga LAN
Video Port	1 x VGA (D-Sub 15pin)
Audio Port	1 x Line-out
DC Output	1 x 12V for 2nd display
OS Supported	
Windows	XP Pro, XP Embedded, WEPOS, POSReady 2009
Linux	Fedora, SUSE
Physical Dimensions	
Dimensions (WxHxD)	382 x 356 x 285 mm (without cable cover), 382 x 356 x 388 mm (w/ cable cover)
Environment	
EMI / Safety	CE, FCC Class A
Operating Temperature	0°C ~ 40°C (32°F ~ 104°F)
Storage Temperature	-10°C ~ 50°C (14°F ~ 122°F)
Relative Humidity	10% ~ 90% (non-condensing)
Optional Peripherals	
Magnetic Stripe Card Reader	MCR single/dual/triple Track
2-in-1 / 3-in-1 Module	MCR+i-Button/MCR+RFID/MCR+Fingerprint/MCR+Smartcard+i-Button
2nd Display	12.1"/15" pole-type LCD display (touch screen optional)
Customer Display	Built in LCM or pole-type VFD customer display
Wireless Module	Integrated 802.11b/g wireless LAN module