

# MegaPOS Pro

15" Value Touch POS Terminal  
with Essential Functions



MegaPOS Pro is a value point of sale terminal designed with all of the essential features as well as Intel Celeron and Dual Core Processor to deliver higher performance. The optional peripherals supported by MegaPOS Pro allows functions to be added to suit each environment.



## Features

**Intel Celeron 440, 2.0 GHz/Dual Core E5300 2.66GHz**

**Higher performance for dual display applications**  
2nd display can deliver advertising or other media applications



### Built-in Customer Display

#### Cost saving

Customer display is integrated on the console eliminating the need to purchase a pole display



### Integrated Rear Cover

#### Cable management

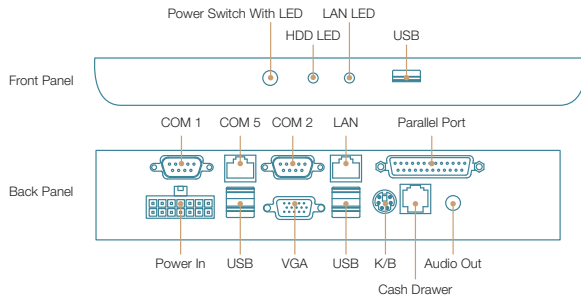
Cabling for power cord and peripherals is hidden beneath the terminal keeping it out of sight and saving counter space

**Forward Facing Power Switch Status LED for HDD/ LAN & USB Port**

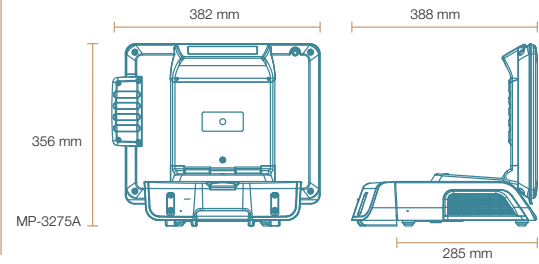
#### Easy maintenance

Front I/O makes it easy for USB driver upload and mouse connection

## I/O Interface



## Dimensions



## Specifications

Model	MP-3275A
Processor	Intel Celeron 440 2.0GHz / Dual Core E5300 2.66GHz
System Memory	512MB standard, maximum 4GB
Speaker	Built-in Speaker 2W x 2
Power Supply	270W External Power Supply with 12V/24V Output
Storage Device	1 x 2.5" SATA HDD 1 x CF Card (optional)
Construction	ABS+SECC
Housing Color	Charcoal+Silver
<b>Touch LCD Display</b>	
Size / Resolution	15" TFT LCD / 1024 x 768
Brightness	250 / 350 cd/m <sup>2</sup>
Touch Screen	Resistive Touch
<b>I/O Ports</b>	
Serial Port	3 x External: COM1 & COM2 (D-sub 9), COM5 (RJ45) with 5V/12V/RI selectable
USB Port	5 x External (4 in rear, 1 in front)
Printer Port	1 x Bi-directional Parallel port
Cash Drawer Port	1 x 12V RJ11 (single/dual)
PS/2	1 x Keyboard
LAN Port	1 x RJ45 GigaLAN
Video Port	1 x VGA (D-sub 15pin)
Audio Port	1 x Line-out
<b>OS Supported</b>	
Windows	XP Pro, XP Embedded, WEPOS, POSReady 2009, Win 7
Linux	Fedora, SUSE
<b>Physical Dimensions</b>	
Dimensions (WxHxD)	382 x 356 x 285 mm (without cable cover), 382 x 356 x 388 mm (w/ cable cover)
<b>Environment</b>	
EMI / Safety	CE, FCC Class A, CCC
Operating Temperature	0°C ~ 40°C (32°F ~ 104°F)
Storage Temperature	-10°C ~ 50°C (14°F ~ 122°F)
Relative Humidity	10% ~ 90% (non-condensing)
<b>Optional Peripherals</b>	
Magnetic Stripe Card Reader	MCR single/dual/triple Track
2-in-1 / 3-in-1 Module	MCR+i-Button/MCR+RFID/MCR+Fingerprint/MCR+Smartcard+i-Button
2nd Display	12.1"/15" pole-type LCD display (touch screen optional)
Customer Display	Built in LCM or pole-type VFD customer display
Wireless LAN	Integrated 802.11b/g wireless LAN module